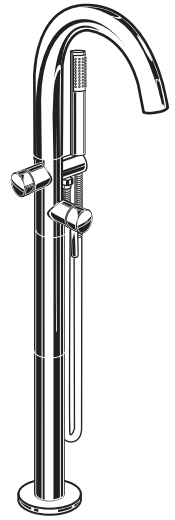
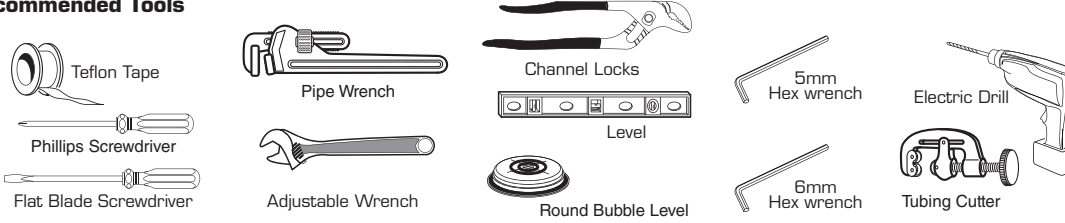


Contemporary Round Floor Mounted Tub Filler

Thank you for selecting American-Standard...
the benchmark of fine quality for over 100 years.

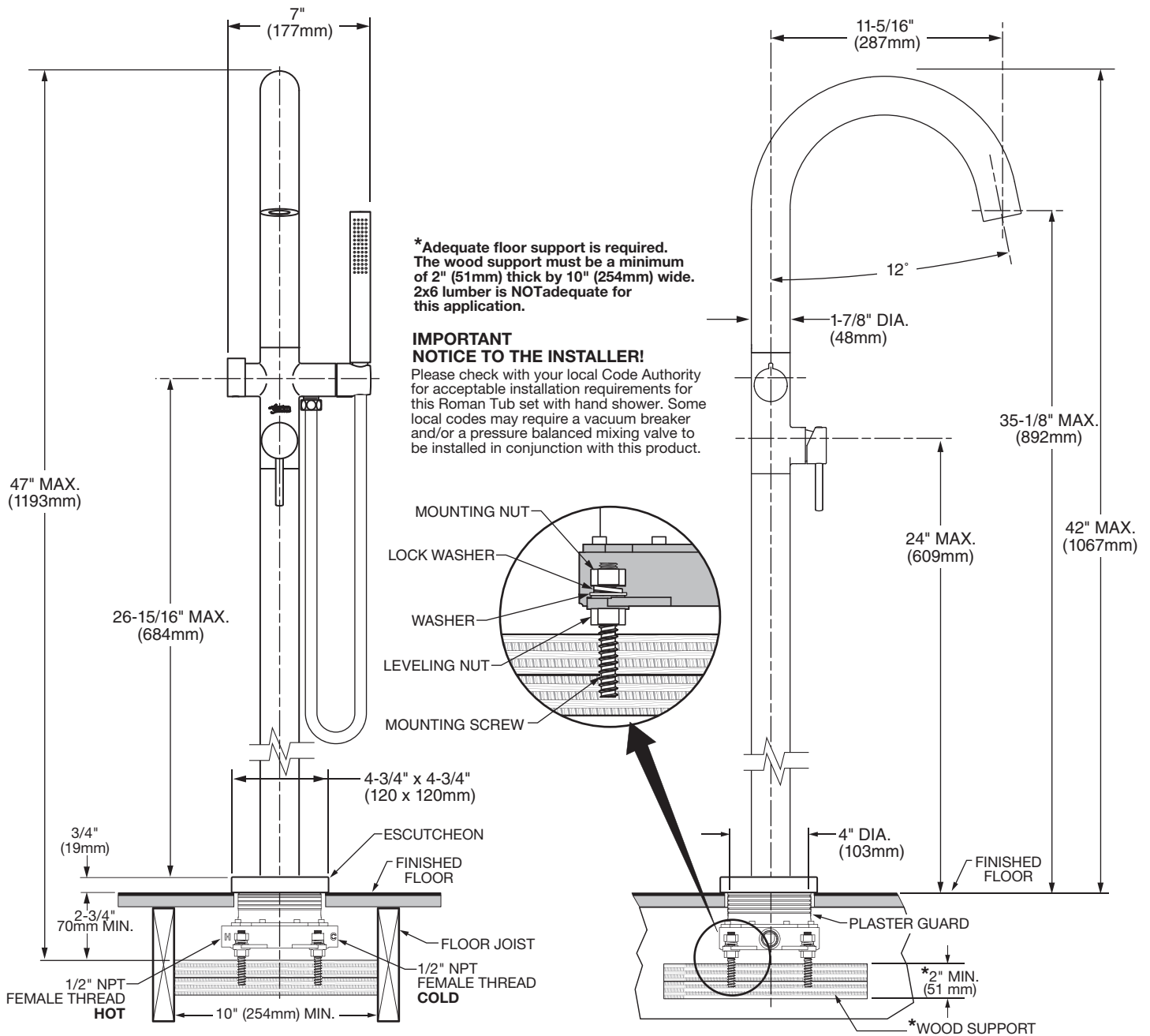
To ensure that your installation proceeds smoothly—
please read these instructions carefully before you begin.

Recommended Tools



ROUGHING-IN DIMENSIONS

Certified to comply with ANSI A112.18.1
M965638 REV. 1.1

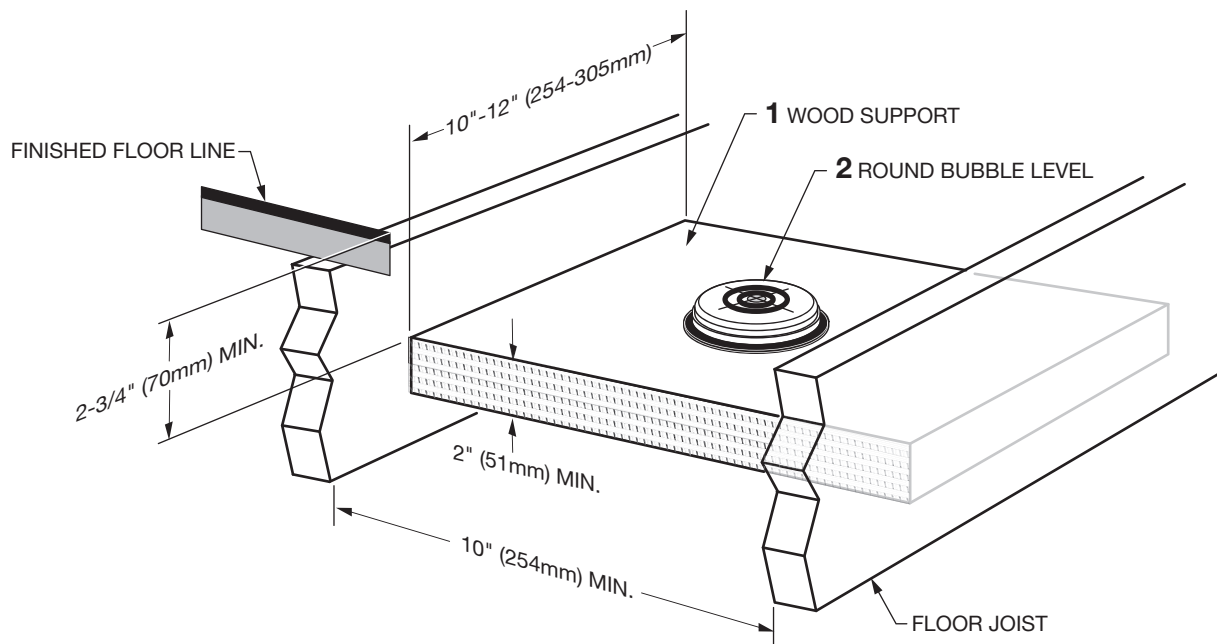


1 INSTALL TUB FILLER FLOOR SUPPORT

CAUTION

Turn off hot and cold water supplies before beginning.

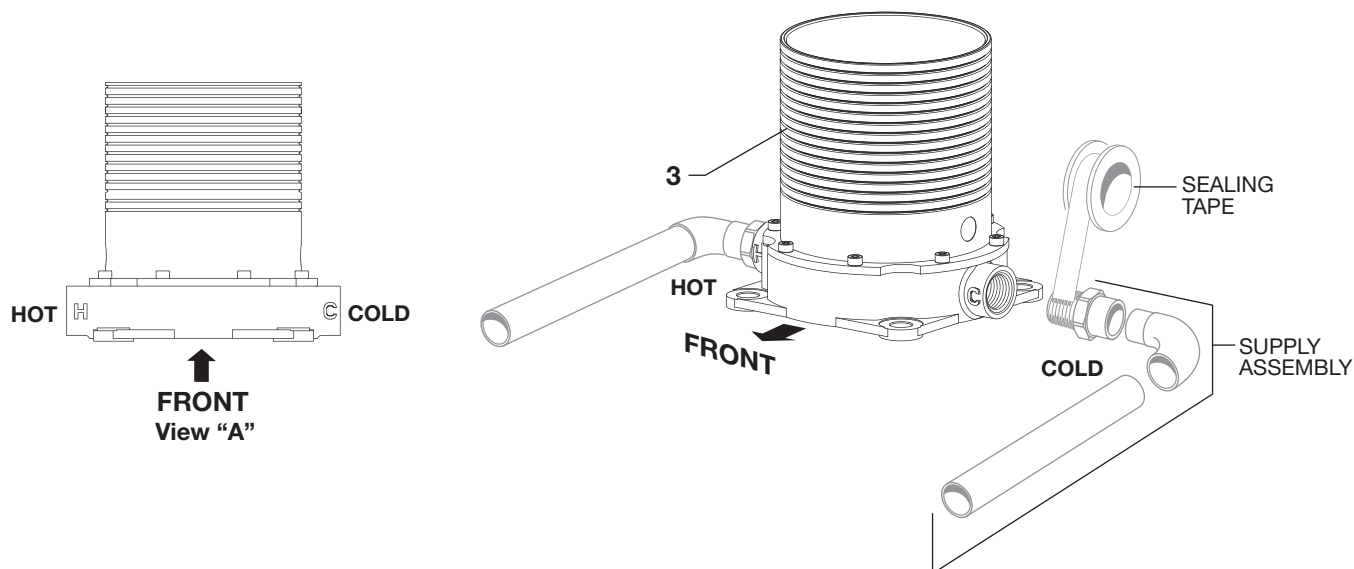
- **Note:** Refer to Roughing-in Dimensions on page one for additional information.
- Adequate floor support is required. The WOOD SUPPORT (1) must be a minimum of 2" (51mm) thick by 10" (254mm) wide. 2x6 lumber is NOT adequate for this application.
- Locate WOOD SUPPORT (1) between floor joists keeping a minimum distance of 2-3/4" (70mm) from the top surface of wood support to the finished floor.
- **IMPORTANT:** Use a ROUND BUBBLE LEVEL (2) to level the WOOD SUPPORT (1). The WOOD SUPPORT (1) must be perfectly level. Secure WOOD SUPPORT (1) to floor joists. Check for level again.



2 INSTALL HOT AND COLD WATER SUPPLIES

- Sweat together Hot and Cold Supply assemblies. Apply sealing tape to threaded connections. Thread supply assemblies into rough-in valve inlets. The Hot inlet will be on the left when facing the front of the Tub Filler.

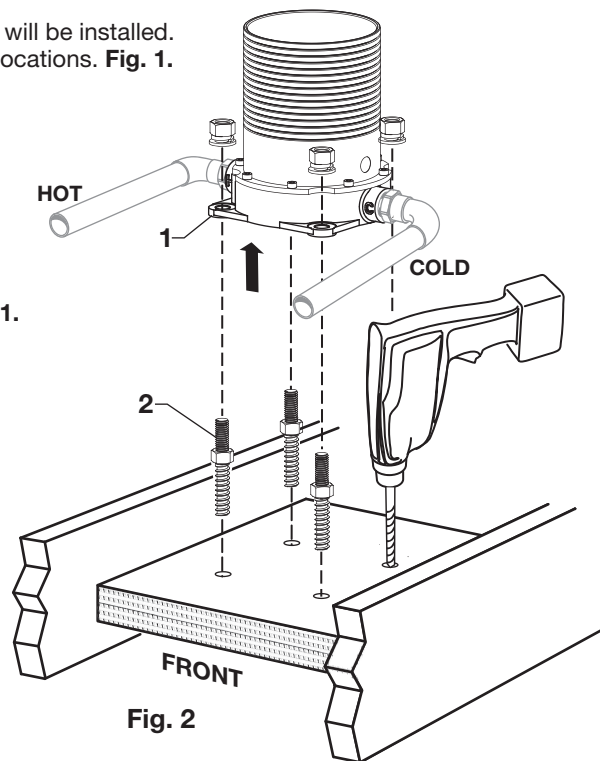
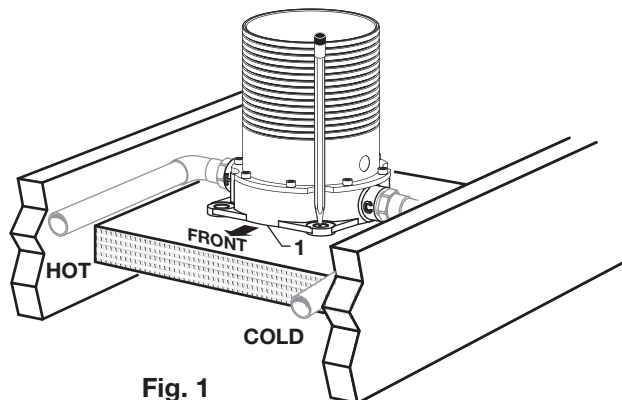
Note: The Hot and Cold inlets are marked on the manifold. See View "A".



3 INSTALL ROUGH-IN VALVE

- Locate the position on the wood support where the ROUGH-IN VALVE (1) will be installed. Use the ROUGH-IN VALVE (1) as a guide to mark the four mounting hole locations. **Fig. 1.**
- Remove ROUGH-IN VALVE (1) and drill four pilot holes of 3/8" (9mm) in diameter. **Fig 2.**
- Install the 4 MOUNTING SCREWS (2) into wood support.
- Install ROUGH-IN VALVE (1) onto the 4 MOUNTING SCREWS (2) and tighten NUTS & WASHERS (2) supplied.

***Important: FRONT of ROUGH-IN VALVE (1) must face bath rim. Figure 1.**

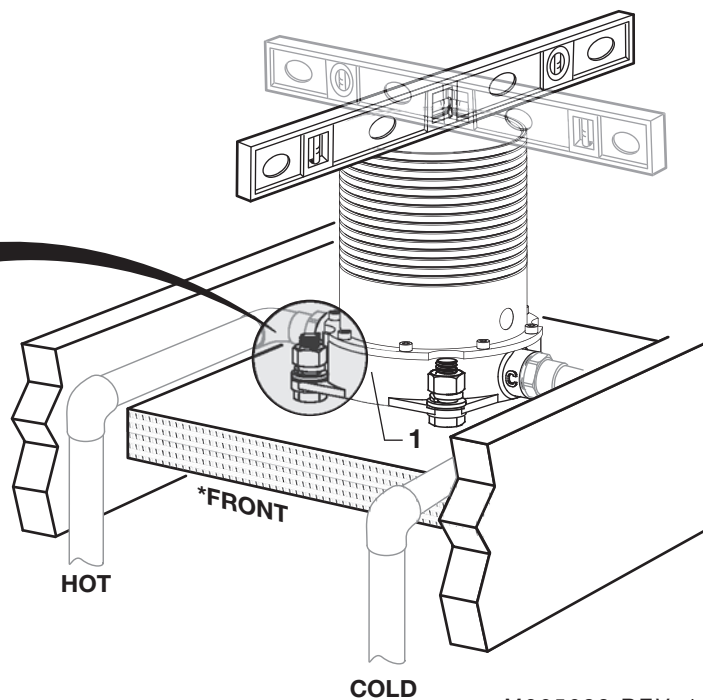
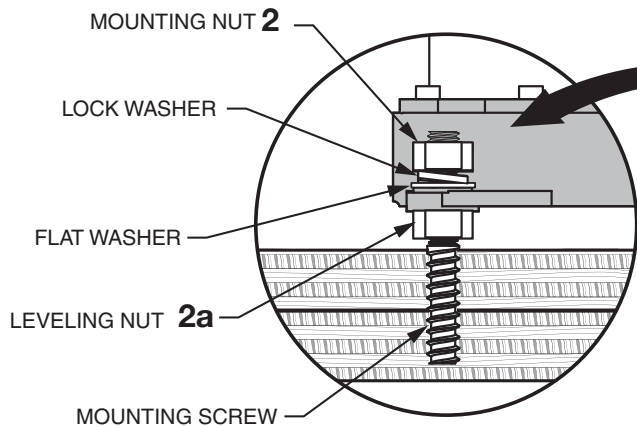


4 LEVEL ROUGH-IN VALVE

- Check that top of the ROUGH-IN VALVE (1) is level in all directions. If the ROUGH-IN VALVE (1) is not level follow the steps below.
1. Loosen the four MOUNTING NUTS (2).
 2. Adjust the LEVELING NUTS (2a) until the TUB FILLER is level in all directions.
 3. Tighten the four MOUNTING NUTS (2) and check that the TUB FILLER is still level. If adjustment is still required loosen MOUNTING NUTS (2) and adjust LEVELING NUTS (2a).
- Verify that the ROUGH-IN VALVE (1) is level and then fully tighten NUTS & WASHERS (2).

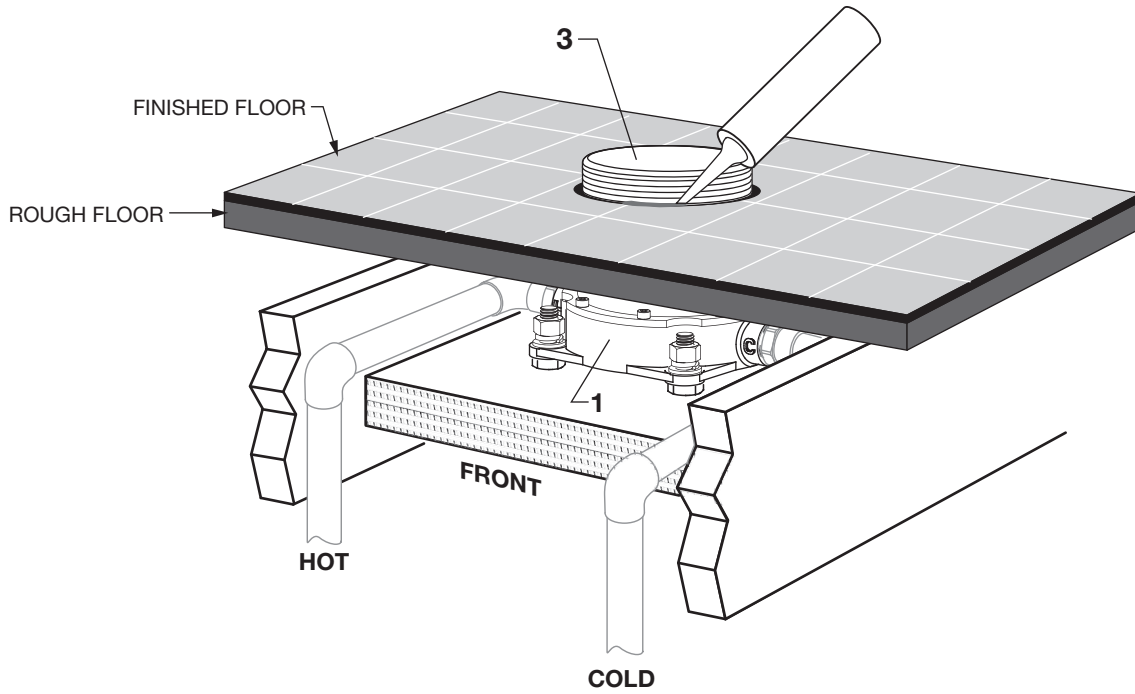
FINISH PLUMBING CONNECTIONS

- Complete all Hot and Cold supply connections.
- Turn on water supplies and check for leaks.



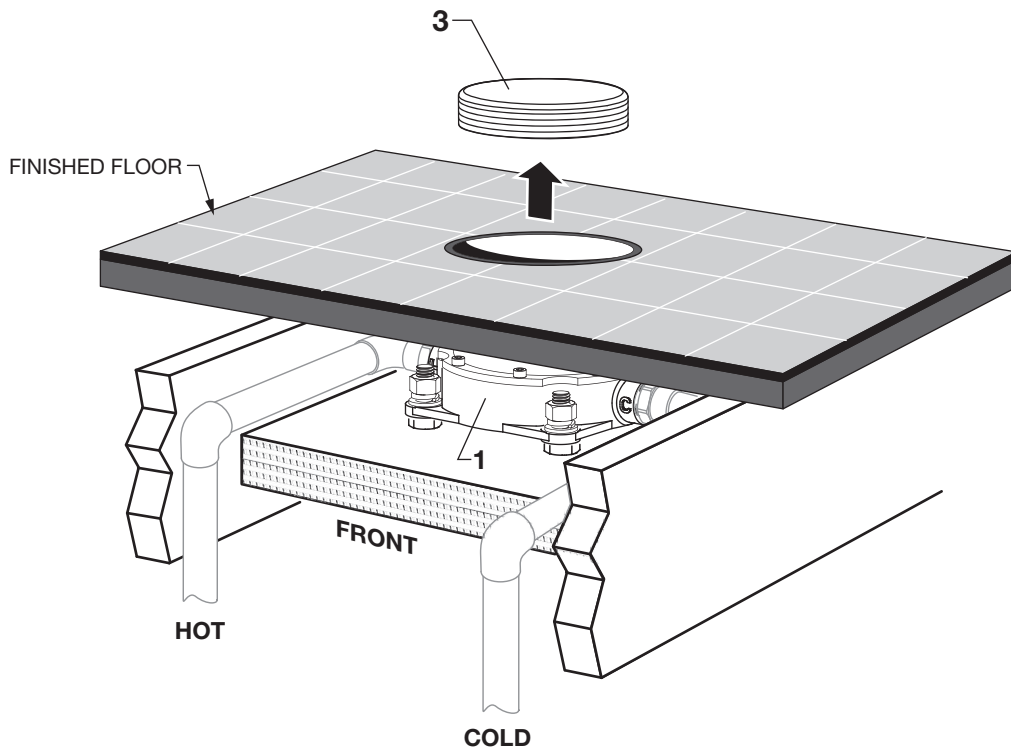
5 FINISH FLOOR INSTALLATION

- Complete the installation of the Finished Floor. Tile as close to the PLASTER GUARD (3) as you can.
- Caulk between Finished Floor and PLASTER GUARD (3).



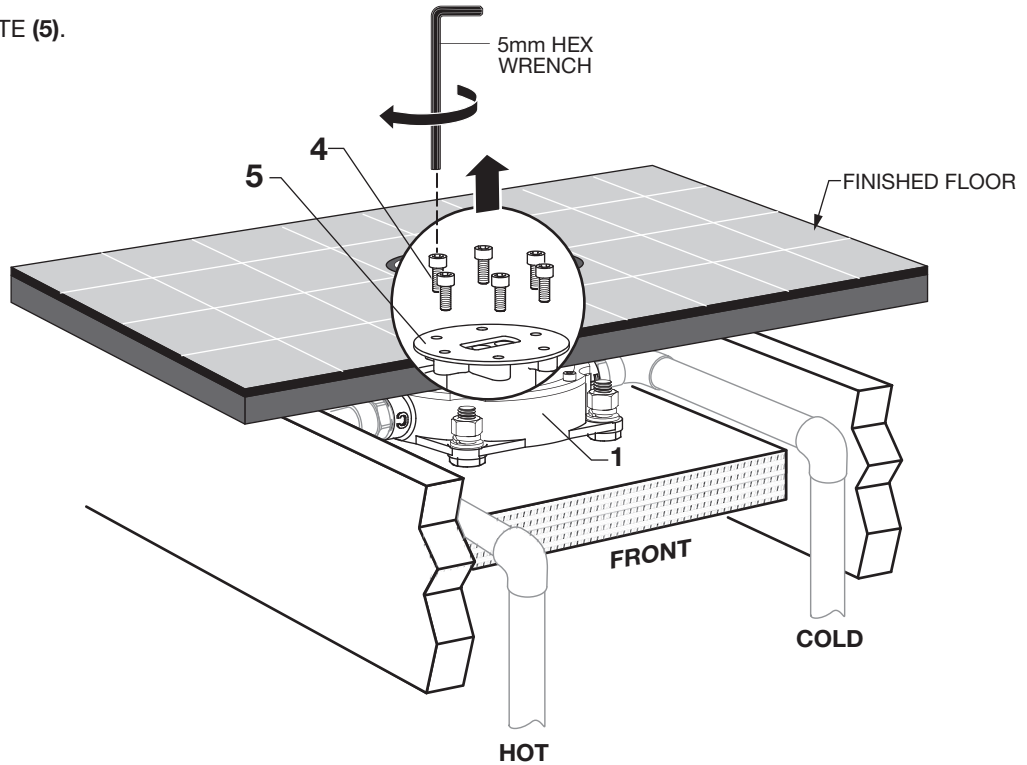
6 REMOVE EXPOSED PLASTER GUARD

- Cut the exposed part of the PLASTER GUARD (3) flush with the finished floor. Be careful not to damage the floor.



7 REMOVE RETAINING PLATE AND SCREWS

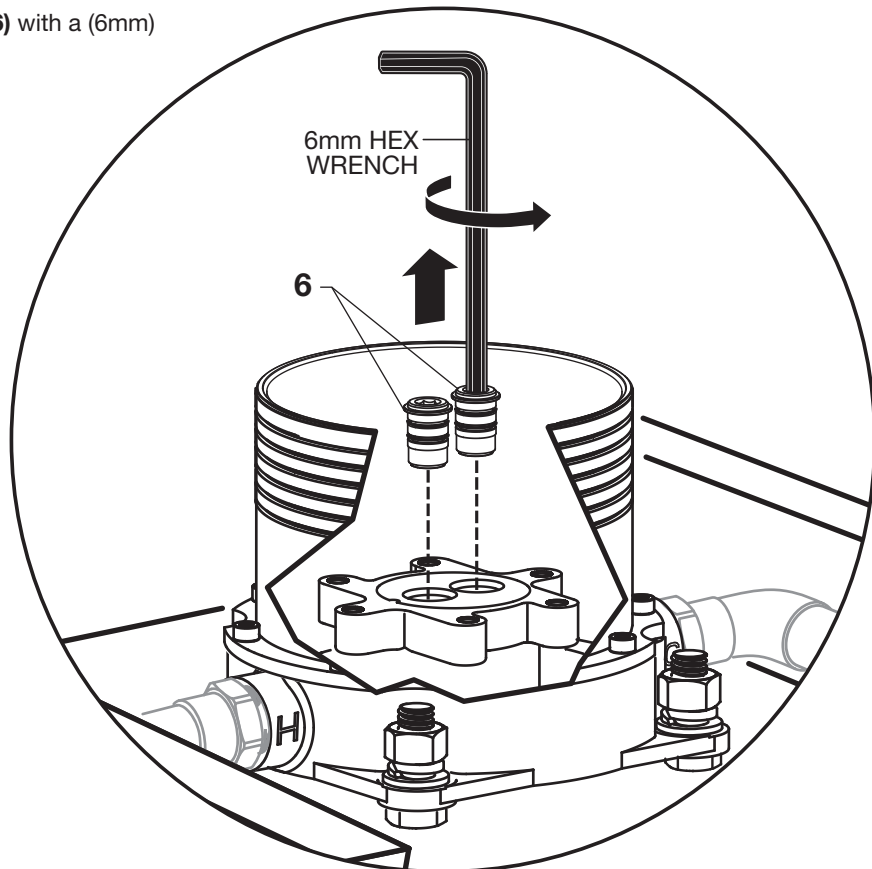
- Remove the SIX RETAINING PLATE SCREWS (4) with a (5mm) hex wrench.
- Remove RETAINING PLATE (5).



8 REMOVE HOT AND COLD TEST PLUGS

Note: Floor is not shown for clarity in this illustration.

- Remove the two TEST PLUGS (6) with a (6mm) hex wrench.



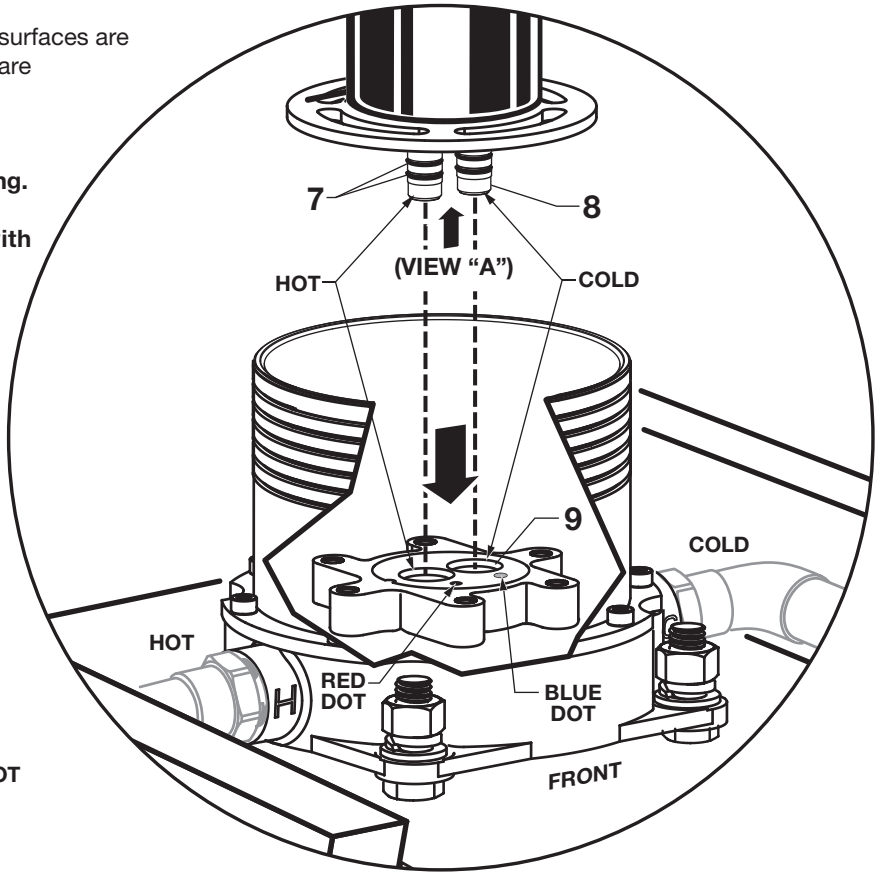
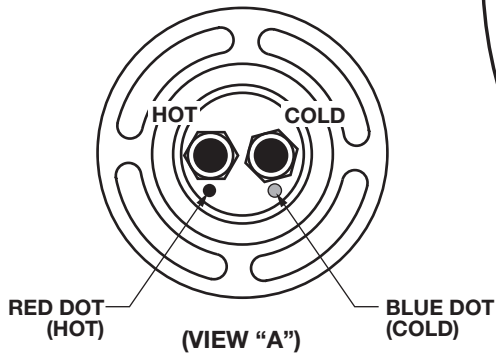
9 INSTALL TUB FILLER

- Before final installation, check that all sealing surfaces are clean and that the INLET HOSE O-RINGS (7) are not damaged.

Important: INLET HOSE O-RINGS (7) can be damaged if caution is not used when installing.

Match inlet hose marked with a blue dot with the hole on the manifold also marked with blue dot. (VIEW "A")

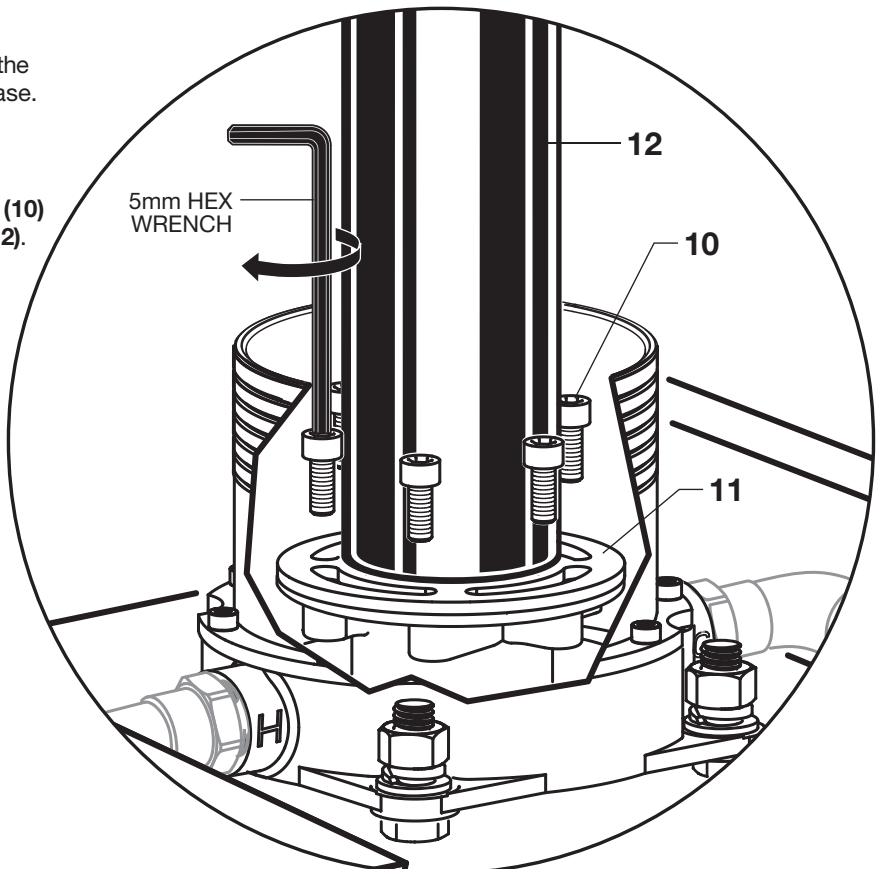
- Install the INLET HOSES (8) into the MANIFOLD MOUNTING BASE (9).



9a INSTALL TUB FILLER

Note: A minimum of four MOUNTING SCREWS (10) are required to secure the tub filler. All six are preferred.

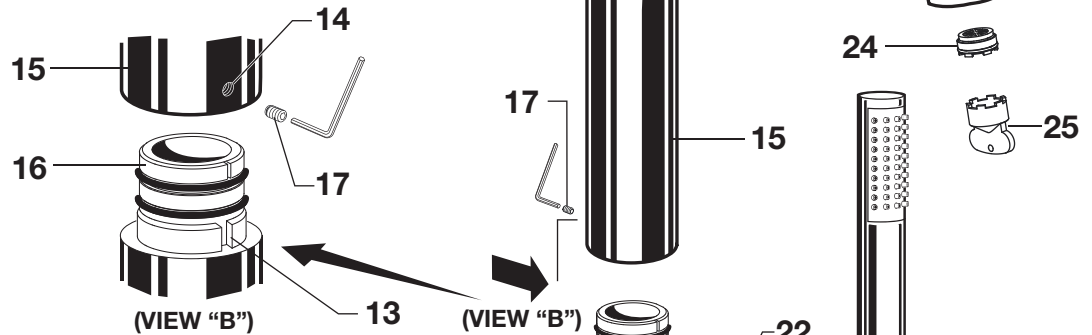
- Install the MOUNTING SCREWS (10) through the MOUNTING PLATE (11) and into the manifold base. Do not fully tighten.
- Rotate the TUB FILLER (12) right or left to align with Tub. Tighten MOUNTING SCREWS (10) with 5mm Hex Wrench to secure TUB FILLER (12).



9b INSTALL SPOUT AND HAND SHOWER

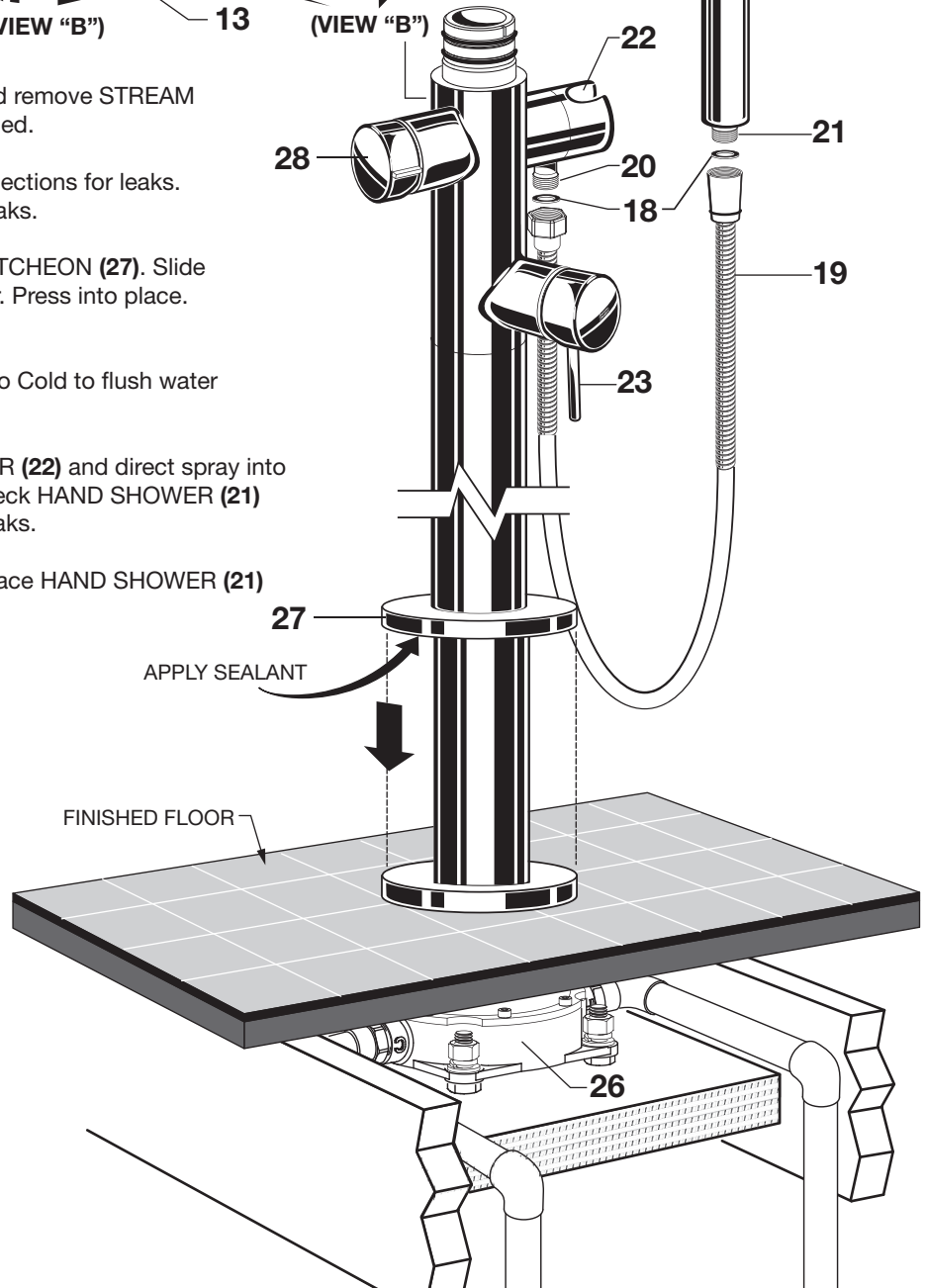
- Align slot in RETAINING RING (13) with SET SCREW HOLE (14) in SPOUT (15). Install SPOUT (15) onto FAUCET BASE (16). Align SPOUT (15) with bath and tighten SET SCREW (17). (VIEW "B")
- Install SEALS (18) on both ends of the SPRAY HOSE (19). Connect the end with the hex to the DIVERTER (20) using an adjustable wrench. Hand tighten the connection to the HAND SHOWER (21).

Note: When not in use, the HAND SHOWER (21) should be seated in the SHOWER HOLDER (22).



TEST INSTALLED FAUCET

- Move HANDLE (23) onto "off" position and remove STREAM STRAIGHTENER (24) with KEY (25) supplied.
- Turn on water supplies and check all connections for leaks. Check MANIFOLD (26) connections for leaks.
- Apply sealant to underside edge of ESCUTCHEON (27). Slide ESCUTCHEON (27) down to finished floor. Press into place. Clean up excess sealant.
- Operate HANDLE (23) On to Off and Hot to Cold to flush water lines thoroughly.
- Lift HAND SHOWER (21) from the HOLDER (22) and direct spray into tub. Rotate DIVERTER KNOB (28) and check HAND SHOWER (21) and SPRAY HOSE (19) connections for leaks.
- Rotate DIVERTER KNOB (28) back and place HAND SHOWER (21) into HOLDER (22).
- Re-install STREAM STRAIGHTENER (24).



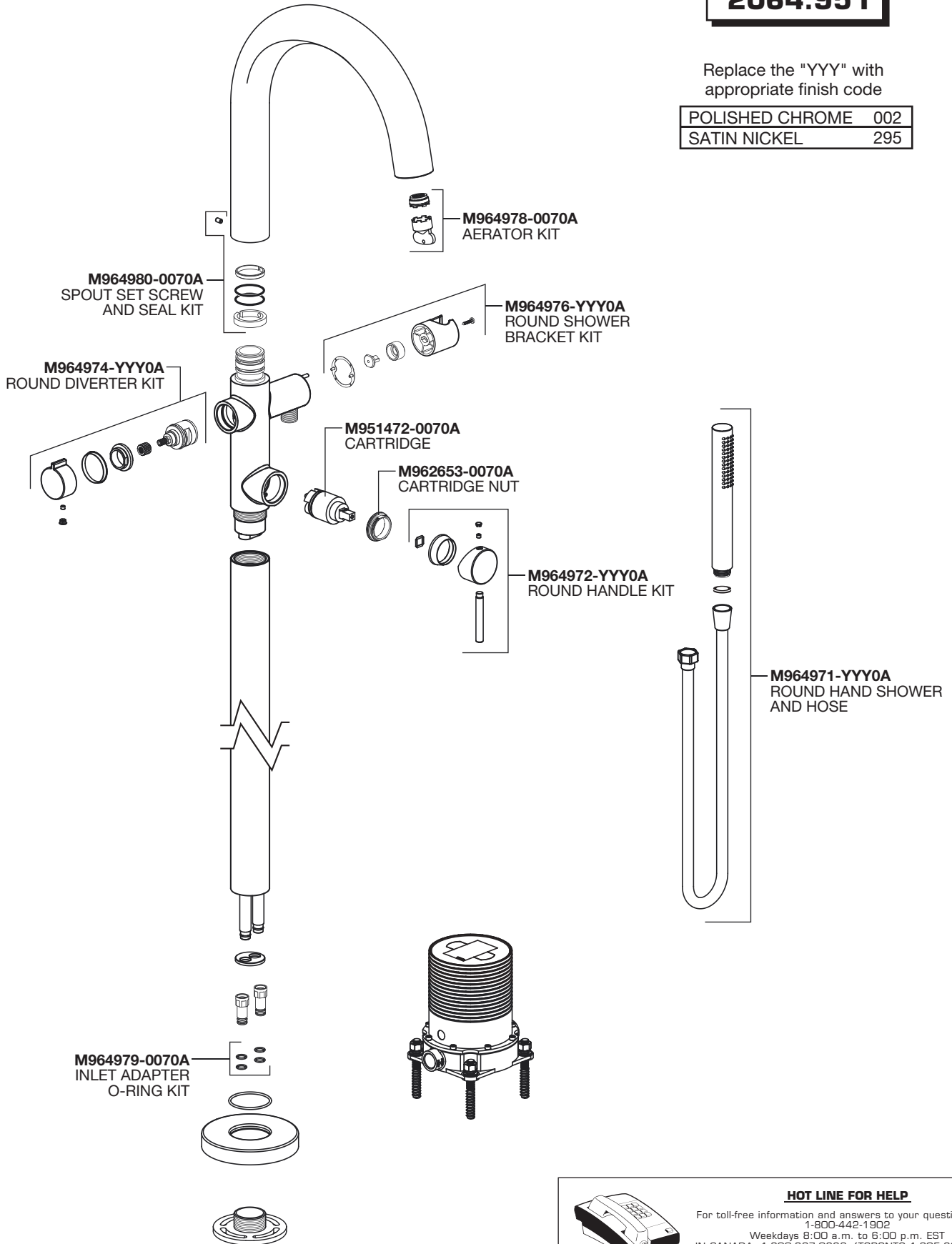
**Contemporary Round
Floor Mounted Tub Filler**

MODEL NUMBER

2064.951

Replace the "YYY" with appropriate finish code

POLISHED CHROME	002
SATIN NICKEL	295



HOT LINE FOR HELP

For toll-free information and answers to your questions, call:
 1-800-442-1902
 Weekdays 8:00 a.m. to 6:00 p.m. EST
 IN CANADA 1-800-387-0369 (TORONTO 1-905-306-1093)
 Weekdays 8:00 a.m. to 7:00 p.m. EST
 IN MEXICO 01-800-839-1200